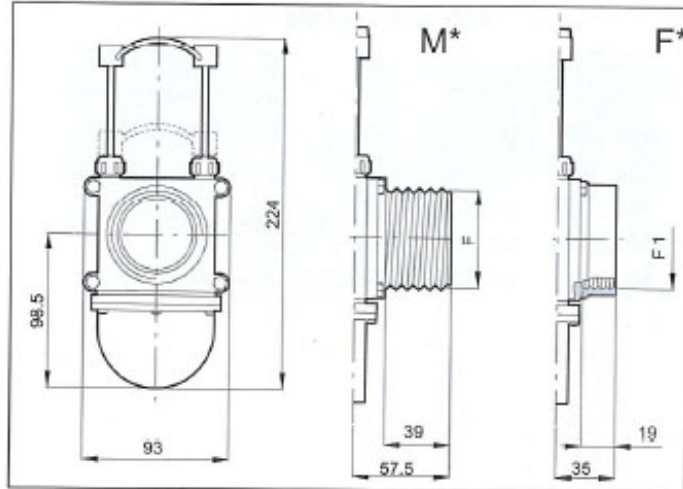


Electric and Manual Valves

Gate Valves



Gate valve



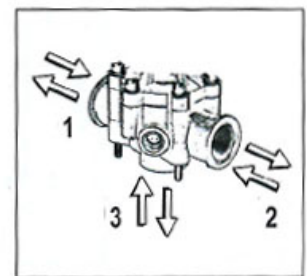
COD.	Outlet Sizes	Outlets
450 015	1 1/4	M/M
450 016	1 1/2	
450 017	2	
450 025	1 1/4	M/F
450 026	1 1/2	
450 027	2	F/F
450 035	1 1/4	
450 036	1 1/2	
450 037	2	

A4652342

Manual proportional control valve with threaded coupling



- Adjusts the flow in the control units in which treatments vary in proportion with engine rpm (DPM)
- Fibreglass-reinforced Nylon body
- Internal parts in Delrin® and AISI 303 stainless steel
- Gaskets made of Viton®



COD.	Pressure		Flow		1	2	3
	BAR	PSI	lt/1'	US GPM	(BSP)	(BSP)	(BSP)
4652342	20	290	180	48	G1 M	G1 M	G1 M



A463051



Manually controlled boom section valve

- Fibreglass-reinforced Nylon body
- Internal parts in Delrin® and AISI 303 stainless steel
- Gaskets made of Viton®



COD.				Ø OUT	
	BAR	PSI		mm	inches
463051	20	290	(◆)	10-13-16 19-25	3/8"-1/2"-5/8" 3/4"-1"

A463052 & A463053

Manual valve assembly



COD.	Vie Valves		
		BAR	PSI
463052	2	20	290
463053	3		

A463001S



Electric boom section valve

- Fibreglass-reinforced Nylon body
- Internal parts in Delrin® and AISI 303 stainless steel
- Gaskets made of Viton®
- Internal resettable fuse (disconnecting power for 20 seconds)








COD.						Ø OUT	
	BAR	PSI				mm	inches
463001S	20	290	0.6 sec.	12Vdc 0.5A		10-13-16	3/8"-1/2"-5/8"
	10	145				19-25	3/4"-1"

A463001ST (3 wire version) also available.

A463011S

Electric, three-way boom section valve

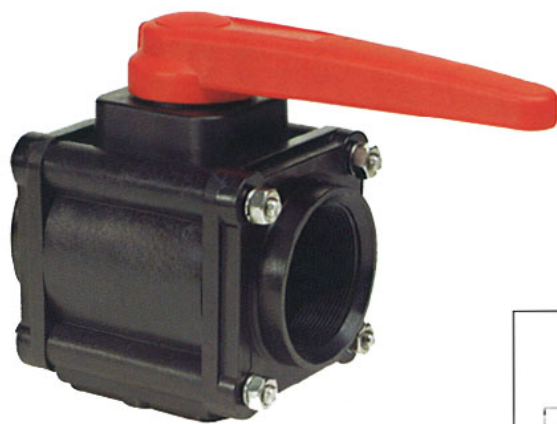
- Suitable for connection to metering manifolds
- Fibreglass-reinforced Nylon body
- Internal parts in Delrin® and AISI 303 stainless steel
- Gaskets made of Viton®
- Internal resettable fuse (disconnecting power for 20 seconds)

COD.						Ø OUT	
	BAR	PSI				mm	inches
463011S	20	290	0.6 sec.	12Vdc 0.5A		10-13-16	3/8"-1/2"-5/8"
	10	145				19-25	3/4"-1"



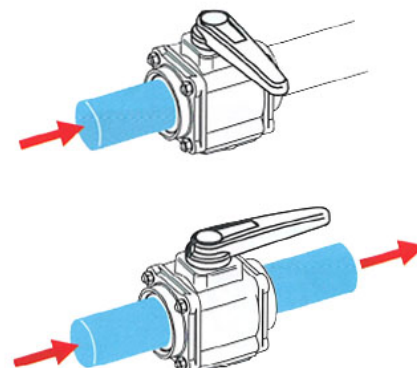
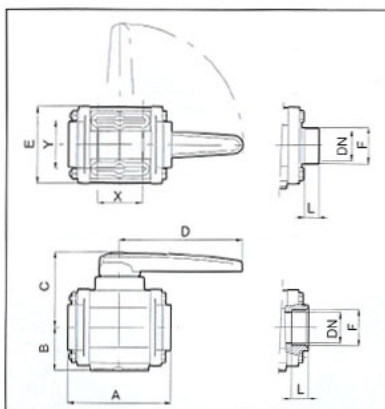
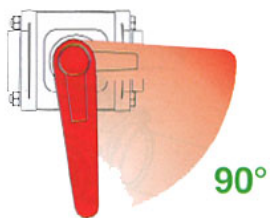
A463011ST (3 wire version) also available.

A453007E99



2 ways bolted valve

cod.	PP BALL		DN		F	L	A	B	C	D	E	X	Y
	BAR	PSI	mm	(BSP)	mm	mm	mm	mm	mm	mm	mm	mm	mm
45300 7E99	8	116	65	3" M	35	212	71	125	200	127	72	80	



A453027E99



3 ways bolted valve, bottom connection

cod.	PP BALL		DN		F	L	A	B	C	D	E	E1	X	Y
	BAR	PSI	mm	(BSP)	mm	mm	mm	mm	mm	mm	mm	mm	mm	mm
45302 7E99	8	116	65	3" M	35	212	71	125	200	127	107	72	80	

